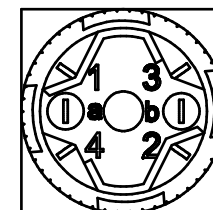
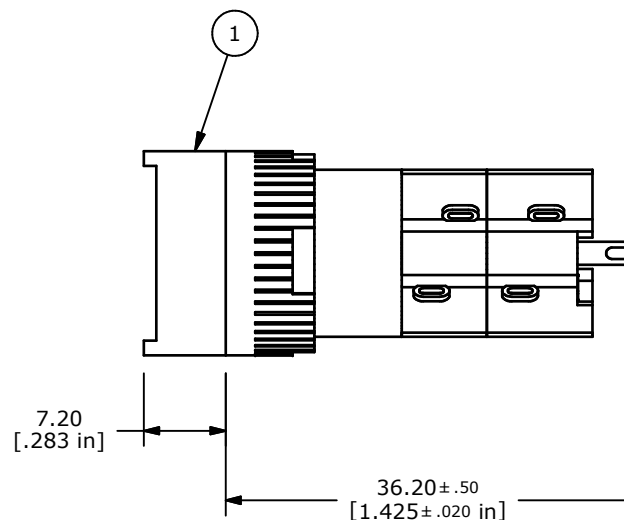
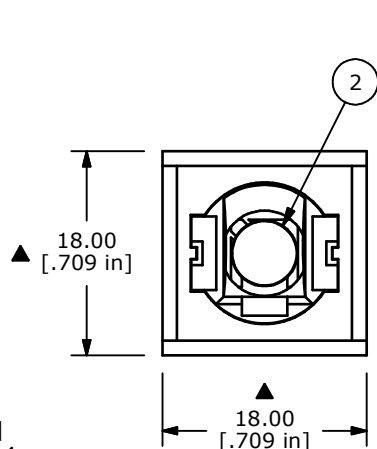
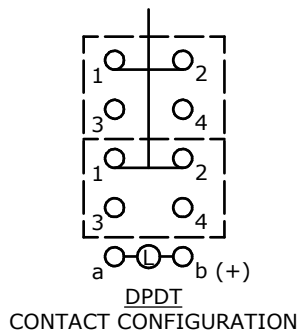


PARTS LIST			
ITEM	QTY	PART NUMBER	DESCRIPTION
1	1	F040031	D16OAS12
2	1	F050431	50-004-31 6V WHITE LED

PANEL MOUNTING



- NOTE:
1. ALL DIMENSIONS IN MM [INCH]
 2. GENERAL TOLERANCE: X.X=±0.4
X.XX=±0.25
 3. TERMINAL NUMBERS FOR REF ONLY
 4. RATING: 5A @ 250 VAC
6A @ 24 VDC
8A @ 125 VAC
 5. ELECTRIC LIFE: 50,000 CYCLES
 6. INSULATION RESISTANCE: 1,000 MΩ MIN.
 7. OPERATING TEMP.: -20°C to 55°C
 - ▲8. LAMP VOLTAGE: 6VDC LED
 9. ▲ DENOTES CRITICAL PARAMETER.
 10. 2002/05/EC (ROHS) COMPLIANT.
 11. PANEL THICKNESS: 0.5-5.0mm
 12. FULL TRAVEL: 3.0mm
 13. SEAL RATING: IP40



TITLE D16OAS12HWHT				
SCALE	DATE	DR	DWG	REV
	1/17/2014	EBP	XF0884P	A

A	21354	RELEASED FOR PRODUCTION	1/17/14	EBP
REV	PCR NO	DESCRIPTION	DATE	BY
<small>THE INFORMATION CONTAINED IN THIS DOCUMENT IS PROPRIETARY TO E-SWITCH AND IS NOT TO BE COPIED OR TRANSFERRED</small>				